

*Next Generation  
Fluid Heads &  
Tripod Systems*



# *Elite-Series*



All Camgear Elite Tripod Systems are equipped with our patented breakthrough **3S-FIX** (one lock) Lock & Release mechanism.



### Patented Single or Dual Counterbalance Adjusting System

With our Elite-Series we took our super reliable step counterbalance mechanism to new heights of robustness and refinement. Our patented dual wheel counterbalance system efficiently reduces the gap between each step, so much so that we have achieved virtual perfect seamless balance. This means you can achieve almost instantly and repeatedly the most accurate and precise camera balance position available in the world today.

## CAMRADE

### Camgear Elite Tripod Systems are supplied with high-end camRade tripodBags

For the first time in tripod history, Camgear is supplying its tripod systems not just in padded bags, but in world class reinforced soft cases from camRade. These tough and stylish tripodBags feature water-resistant 1000 denier Cordura® exteriors, YKK® zippers and a rich deep blue soft padded interior. System transport is provided by rugged wheels and fully adjustable padded shoulder straps. The bags' interior features two fully adjustable bumpers to customize the layout and several pockets with zippers.



### The New 3S-FIX (one lock) Tripod System

The 3S-FIX tripods, included in all Elite-Series tripod systems, come equipped with the new patented (one lock) Lock & Release system, making the locking and unlocking of the tripod legs a breeze. They also feature other innovations, such as magnetic leg system locks, eliminating the need for legs clips, allowing lightning fast setups and takedowns.

## Introducing Elite Heads with the 3S-FIX tripods

The Elite-Series heads inherit their world renowned smooth and precise drag movement from our existing range of Camgear fluid heads. But they also feature a new ergonomic architecture, a new patented ultra-precise, repeatable and accurate counterbalance system allowing virtually perfect balance an industry first for a stepped drag system and a host of practical features designed to guarantee dramatically improved performance and ease of use, in total not just an evolution, but a revolution.



Reliability, durability and convenience is what you can expect from the new Camgear Elite-Series.



# Index

## FLUID HEADS & TRIPOD SYSTEMS

### Elite 8 Payload max. 10kg Bowl 75mm

Elite 8 Fluid Head	10
Elite 8 GS CF	10
Elite 8 GS AL	10
Elite 8 MS CF	11
Elite 8 MS AL	11

### Elite 10 Payload max. 12kg Bowl 100mm

Elite 10 Fluid Head	12
Elite 10 GS CF	12
Elite 10 GS AL	12
Elite 10 MS CF	13
Elite 10 MS AL	13

### Elite 12 Payload max. 15kg Bowl 100mm

Elite 12 Fluid Head	14
Elite 12 GS CF	14
Elite 12 GS AL	14
Elite 12 MS CF	15
Elite 12 MS AL	15

### Elite 15 Payload max. 19kg Bowl 100mm

Elite 15 Fluid Head	16
Elite 15 GS CF	16
Elite 15 GS AL	16
Elite 15 MS CF	17
Elite 15 MS AL	17

### Elite 18 Payload max. 25kg Bowl 100mm

Elite 18 Fluid Head	18
Elite 18 GS CF	18
Elite 18 GS AL	18
Elite 18 MS CF	19
Elite 18 MS AL	19
Elite 18 EFP GS CF	20
Elite 18 EFP MS CF	20

### Elite 20 Payload max. 29kg Bowl 100mm

Elite 20 Fluid Head	22
Elite 20 EFP GS CF	23
Elite 20 EFP MS CF	23

### Elite 25 Payload max. 45kg Bowl 150mm

Elite 25 Fluid Head	24
Elite 25 EFP GS CF	25
Elite 25 EFP MS CF	25

## 3S-FIX TRIPODS

3S-FIX T75/AL2 GS	28
3S-FIX T75/CF2 GS	29
3S-FIX T100/AL2 GS	30
3S-FIX T100/CF2 GS	31
3S-FIX ENG/AL2 GS	32
3S-FIX ENG/CF2 GS	33
3S-FIX EFP100/CF2 GS	34
3S-FIX EFP150/CF2 GS	35

## ACCESSORIES

Ground Spreaders	36
Dollies	36
Mid Level Spreaders & Rubber Feet	37
Pan Bars	37
Wedge Plates	38
Adapter plates	38
Bowl Clamps	38
Bags & Cases	39

# Practical Features

## Elite Fluid Heads

### Parking Position for Spare Camera Screws

All Elite heads have a parking position for spare camera screws.

### Hidden Screw Key

The (patented) hidden screw key is smartly inserted into the front of the sliding plate.

### Exchangeable Wedge Plate

The Elite wedge plates are exchangeable with Sachtler Touch & Go plates.

### Exchangeable Pan Bar Rosette

All Elite heads have an exchangeable aluminum pan bar rosette which ensures fast replacement when a rosette is worn.

### Illuminated Touch Bubble

All Elite heads are equipped with a pressure activated Self-Illuminated Touch Bubble.

### Tilt Brake Knob

Manufactured from hardened aluminum for superior durability. Angle adjustable for operator preference.

### Our Counterbalance System

The world's most sophisticated and accurate stepped counterbalance system. Providing virtually perfect balance.

### Our New Quick Release Knob

An entirely new and robust design, engineered for unequalled reliability and ease of use.

### Improved structure

Dramatically improved torsional strength and stiffness, now the industry leader.



# Practical Features

## 3S-FIX Tripods

Unlike competing brands of quick lock tripods, our linkage mechanism between the upper and lower leg clamp are actually inside the leg tube, a design breakthrough which prevents breakage caused by direct impact on the exposed linkage mechanism.

Pull the 3S-FIX clamp out to unlock both upper and lower stages. To lock, push the clamp back in again. Simple, elegant and robust.

Both the upper and lower leg locks can be adjusted separately and easily, avoiding the common problem of a tight upper brake and loose lower brake or vice versa.

The adjustment of the lower brake is extremely accessible, easy and fast to adjust.

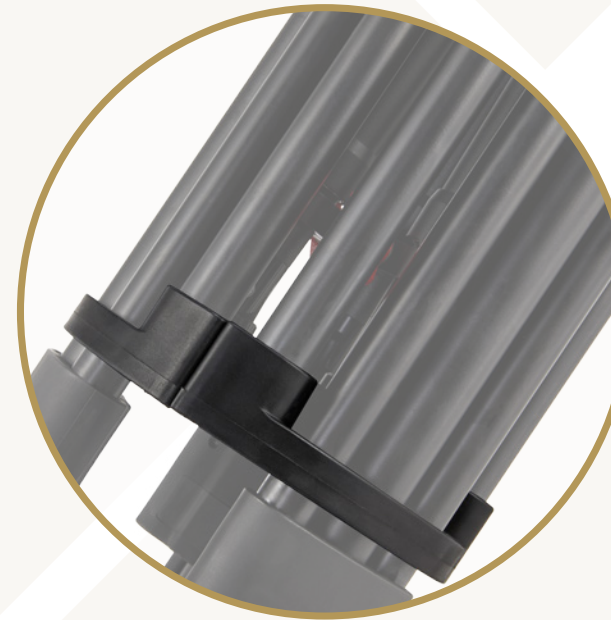
**New Rubber Feet**  
The new Rubber Feet provide more skid resistance to ensure better stability of the tripods.

### Iconic 3S-FIX clamp

All Elite-Series tripod systems are equipped with the patented 3S-FIX Quick Lock & Release mechanism and new unique brake handle for fast and easy deployment. The 3S-FIX stands for *Stronger, Smarter, Speedier*. It makes locking and unlocking the tripod legs a breeze.



# Strong | Smart | Speed



### Integrated Magnetic Lock System

Those dated and bothersome lock clips of old have been replaced by a unified magnetic leg lock system. This eliminates broken clips and ensures superior ease of use, speed and durability.

# Camgear Elite 8 **Payload 10KG BOWL 75MM**

## Camgear Elite 8 Fluid Head

Fluid Head incl. Elite Wedge Plate TNG-DV & Elite Pan Bar ELPB-1  
 SKU: CMG-EL8-FLHEAD

### Specifications

<b>Model Number</b>	Elite 8	<b>Pan &amp; Tilt Drag</b>	4 steps (1-4)
<b>Maximum Payload</b>	10 kg/22 lbs	<b>Pan &amp; Tilt Range</b>	Pan: 360° / Tilt: +90/-75°
<b>Camera Platform Type</b>	Elite Wedge Plate TNG-DV	<b>Temperature Range</b>	-40°C to +60°C/-40 to +144°F
<b>Sliding Range</b>	70 mm/2.76 in	<b>Levelling Bubble</b>	Illuminated Touch Levelling Bubble
<b>Camera Plate</b>	1/4" screw, 3/8" screw	<b>Weight</b>	2.84 kg/6.26 lbs
<b>Counterbalance System</b>	10 steps (1-10)	<b>Bowl Diameter</b>	75 mm

The Elite 8 fluid head is the premier P/T head available in its payload class. With a payload capacity of 10 kg/22 lbs, it is optimally designed for lightweight camcorders, modern film cameras such as the Canon XC15, XA30/35, JVC GY-HM200 and all DSLR cameras to be perfectly balanced, unlike any other design, for stunning images.

The Elite 8 tripod systems come with the matching patented Elite 75 mm 50 kg/110 lbs capacity 3S-FIX Quick Lock & Release tripod, illuminated levelling bubble with sliding plate screw parking positions and the integrated screw key to make your operation run smoothly.



## Camgear Elite 8 **GS CF BOWL 75MM**

Tripod System incl. Elite 8 Fluid Head, Carbon Fiber Tripod & Ground Spreader.

SKU: CMG-EL8-GS-CF-TRISYS

### System Configuration

- Elite 8 Fluid Head
- 3S-FIX T75/CF2 Carbon Fiber Tripod
- Elite Pan Bar ELPB-1
- Ground Spreader GS-2
- camRade tripodBag Traveler



<b>Weight</b>	7.45 kg/16.42 lbs
<b>Height Range</b>	0.51-1.68 m/20-66.1 in
<b>Transport Length</b>	0.87 m/34.3 in
<b>Section</b>	2 Stages

## Camgear Elite 8 **GS AL BOWL 75MM**

Tripod System incl. Elite 8 Fluid Head, Aluminum Tripod & Ground Spreader.

SKU: CMG-EL8-GS-AL-TRISYS

### System Configuration

- Elite 8 Fluid Head
- 3S-FIX T75/AL2 Aluminum Tripod
- Elite Pan Bar ELPB-1
- Ground Spreader GS-2
- camRade tripodBag Traveler



<b>Weight</b>	8.18 kg/18.03 lbs
<b>Height Range</b>	0.51-1.68 m/20-66.1 in
<b>Transport Length</b>	0.87 m/34.3 in
<b>Section</b>	2 Stages

## Camgear Elite 8 **MS CF BOWL 75MM**

Tripod System incl. Elite 8 Fluid Head, Carbon Fiber Tripod & Mid Level Spreader.

SKU: CMG-EL8-MS-CF-TRISYS

### System Configuration

- Elite 8 Fluid Head
- 3S-FIX T75/CF2 Carbon Fiber Tripod
- Elite Pan Bar ELPB-1
- Mid Level Spreader MSP-3
- Rubber Feet RF-2 (x3)
- camRade tripodBag Traveler



<b>Weight</b>	7.91 kg/17.44 lbs
<b>Height Range</b>	0.56-1.61 m/22-63.4 in
<b>Transport Length</b>	0.87 m/34.3 in
<b>Section</b>	2 Stages

## Camgear Elite 8 **MS AL BOWL 75MM**

Tripod System incl. Elite 8 Fluid Head, Aluminum Tripod & Mid Level Spreader.

SKU: CMG-EL8-MS-AL-TRISYS

### System Configuration

- Elite 8 Fluid Head
- 3S-FIX T75/AL2 Aluminum Tripod
- Elite Pan Bar ELPB-1
- Mid Level Spreader MSP-3
- Rubber Feet RF-2 (x3)
- camRade tripodBag Traveler



<b>Weight</b>	8.64 kg/19.05 lbs
<b>Height Range</b>	0.56-1.61 m/22-63.4 in
<b>Transport Length</b>	0.87 m/34.3 in
<b>Section</b>	2 Stages

# Camgear Elite 10 **Payload 12KG Bowl 100MM**

## Camgear Elite 10 Fluid Head

Fluid Head incl. Elite Wedge Plate TNG-16 & Elite Pan Bar ELPB-1

SKU: CMG-EL10-FLHEAD

### Specifications

<b>Model Number</b>	Elite 10	<b>Pan &amp; Tilt Drag</b>	4 steps (1-4)
<b>Maximum Payload</b>	12 kg/26.5 lbs	<b>Pan &amp; Tilt Range</b>	Pan: 360° / Tilt: +90/-75°
<b>Camera Platform Type</b>	Elite Wedge Plate TNG-16	<b>Temperature Range</b>	-40°C to +60°C / -40 to +144°F
<b>Sliding Range</b>	80 mm/3.15 in	<b>Levelling Bubble</b>	Illuminated Touch Levelling Bubble
<b>Camera Plate</b>	1/4" screw, 3/8" screw	<b>Weight</b>	3.3 kg/7.28 lbs
<b>Counterbalance System</b>	12 steps (1-12)	<b>Bowl Diameter</b>	100 mm

The Elite 10 fluid head is engineered for set-ups of up to 12 kg/26.4 lbs. The 12 step counterbalance wheel adjustment system enables finer and faster counterbalance settings for virtual perfect balance. The camera can easily be switched from tripod to handheld and vice versa using the quick release lever, allowing the camera and plate to release in one swift sure movement. Perfect support for today's digital cinema-style cameras, such as the Sony PXW-FS7, Canon EOS C200/C300/C300 MARK II, Blackmagic URSA Mini Pro & Panasonic AU-EVA1.

The Elite 10 tripod systems come with the matching patented Elite 3S-FIX Quick Lock & Release 100 mm 50 kg/110 lbs capacity tripod, illuminated levelling bubble with sliding plate screw parking positions and the integrated screw key to make your operation run smoothly.



## Camgear Elite 10 **GS CF** **Bowl 100MM**

Tripod System incl. Elite 10 Fluid Head, Carbon Fiber Tripod & Ground Spreader.

SKU: CMG-EL10-GS-CF-TRISYS

### System Configuration

- Elite 10 Fluid Head
- 3S-FIX T100/CF2 Carbon Fiber Tripod
- Elite Pan Bar ELPB-1
- Ground Spreader GS-2
- camRade tripodBag Traveler



<b>Weight</b>	7.98 kg/17.59 lbs
<b>Height Range</b>	0.51-1.68 m/20-66.1 in
<b>Transport Length</b>	0.87 m/34.3 in
<b>Section</b>	2 Stages

## Camgear Elite 10 **GS AL** **Bowl 100MM**

Tripod System incl. Elite 10 Fluid Head, Aluminum Tripod & Ground Spreader.

SKU: CMG-EL10-GS-AL-TRISYS

### System Configuration

- Elite 10 Fluid Head
- 3S-FIX T100/AL2 Aluminum Tripod
- Elite Pan Bar ELPB-1
- Ground Spreader GS-2
- camRade tripodBag Traveler



<b>Weight</b>	8.7 kg/19.18 lbs
<b>Height Range</b>	0.51-1.68 m/20-66.1 in
<b>Transport Length</b>	0.87 m/34.3 in
<b>Section</b>	2 Stages

## Camgear Elite 10 **MS CF** **Bowl 100MM**

Tripod System incl. Elite 10 Fluid Head, Carbon Fiber Tripod & Mid Level Spreader.

SKU: CMG-EL10-MS-CF-TRISYS

### System Configuration

- Elite 10 Fluid Head
- 3S-FIX T100/CF2 Carbon Fiber Tripod
- Elite Pan Bar ELPB-1
- Mid Level Spreader MSP-3
- Rubber Feet RF-2 (x3)
- camRade tripodBag Traveler



<b>Weight</b>	8.44 kg/18.61 lbs
<b>Height Range</b>	0.56-1.61 m/22-63.4 in
<b>Transport Length</b>	0.87 m/34.3 in
<b>Section</b>	2 Stages

## Camgear Elite 10 **MS AL** **Bowl 100MM**

Tripod System incl. Elite 10 Fluid Head, Aluminum Tripod & Mid Level Spreader.

SKU: CMG-EL10-MS-AL-TRISYS

### System Configuration

- Elite 10 Fluid Head
- 3S-FIX T100/AL2 Aluminum Tripod
- Elite Pan Bar ELPB-1
- Mid Level Spreader MSP-3
- Rubber Feet RF-2 (x3)
- camRade tripodBag Traveler



<b>Weight</b>	9.16 kg/20.19 lbs
<b>Height Range</b>	0.56-1.61 m/22-63.4 in
<b>Transport Length</b>	0.87 m/34.3 in
<b>Section</b>	2 Stages

# Camgear Elite 12 **Payload 15KG Bowl 100MM**

## Camgear Elite 12 Fluid Head

Fluid Head incl. Elite Wedge Plate TNG-16 & Elite Pan Bar ELPB-1

SKU: CMG-EL12-FLHEAD

### Specifications

<b>Model Number</b>	Elite 12	<b>Pan &amp; Tilt Drag</b>	6 steps (1-6)
<b>Maximum Payload</b>	15 kg/33 lbs	<b>Pan &amp; Tilt Range</b>	Pan: 360° / Tilt: +90/-75°
<b>Camera Platform Type</b>	Elite Wedge Plate TNG-16	<b>Temperature Range</b>	-40°C to +60°C / -40 to +144°F
<b>Sliding Range</b>	80 mm/3.15 in	<b>Levelling Bubble</b>	Illuminated Touch Levelling Bubble
<b>Camera Plate</b>	1/4" screw, 3/8" screw	<b>Weight</b>	3.46 kg/7.63 lbs
<b>Counterbalance System</b>	4+10 steps (1-4, 1-10)	<b>Bowl Diameter</b>	100 mm

The compact Elite 12 is a perfect match for small lightweight ENG cameras and other film cameras with higher profiles and COG of up to 15 kg/33 lbs. With a combined 40 positions of counterbalance the Elite 12 can virtually perfectly balance any payload between 0 and 33 pounds, a world's first.

The Elite 12 tripod systems come with the matching patented Elite 3S-FIX Quick Lock & Release 100 mm 70 kg/154 lbs capacity tripod, illuminated levelling bubble with sliding plate screw parking positions and the integrated screw key to make your operation run smoothly.



## Camgear Elite 12 **GS CF Bowl 100MM**

Tripod System incl. Elite 12 Fluid Head, Carbon Fiber Tripod & Ground Spreader.

SKU: CMG-EL12-GS-CF-TRISYS

### System Configuration

- Elite 12 Fluid Head
- 3S-FIX ENG/CF2 Carbon Fiber Tripod
- Elite Pan Bar ELPB-1
- Ground Spreader GS-2
- camRade tripodBag Traveler



<b>Weight</b>	8.54 kg/18.83 lbs
<b>Height Range</b>	0.55-1.72 m/21.7-67.7 in
<b>Transport Length</b>	0.89 m/35 in
<b>Section</b>	2 Stages

## Camgear Elite 12 **GS AL Bowl 100MM**

Tripod System incl. Elite 8 Fluid Head, Aluminum Tripod & Ground Spreader.

SKU: CMG-EL12-GS-AL-TRISYS

### System Configuration

- Elite 12 Fluid Head
- 3S-FIX ENG/AL2 Aluminum Tripod
- Elite Pan Bar ELPB-1
- Ground Spreader GS-2
- camRade tripodBag Traveler



<b>Weight</b>	9.18 kg/20.24 lbs
<b>Height Range</b>	0.55-1.72 m/21.7-67.7 in
<b>Transport Length</b>	0.89 m/35 in
<b>Section</b>	2 Stages

## Camgear Elite 12 **MS CF Bowl 100MM**

Tripod System incl. Elite 12 Fluid Head, Carbon Fiber Tripod & Mid Level Spreader.

SKU: CMG-EL12-MS-CF-TRISYS

### System Configuration

- Elite 12 Fluid Head
- 3S-FIX ENG/CF2 Carbon Fiber Tripod
- Elite Pan Bar ELPB-1
- Mid Level Spreader MSP-3
- Rubber Feet RF-2 (x3)
- camRade tripodBag Traveler



<b>Weight</b>	9 kg/19.84 lbs
<b>Height Range</b>	0.6-1.65 m/23.6-65 in
<b>Transport Length</b>	0.89 m/35 in
<b>Section</b>	2 Stages

## Camgear Elite 12 **MS AL Bowl 100MM**

Tripod System incl. Elite 12 Fluid Head, Aluminum Tripod & Mid Level Spreader.

SKU: CMG-EL12-MS-AL-TRISYS

### System Configuration

- Elite 12 Fluid Head
- 3S-FIX ENG/AL2 Aluminum Tripod,
- Elite Pan Bar ELPB-1
- Mid Level Spreader MSP-3
- Rubber Feet RF-2 (x3)
- camRade tripodBag Traveler



<b>Weight</b>	9.64 kg/21.25 lbs
<b>Height Range</b>	0.6-1.65 m/23.6-65 in
<b>Transport Length</b>	0.89 m/35 in
<b>Section</b>	2 Stages



# Camgear Elite 15 **Payload 19KG Bowl 100MM**

## Camgear Elite 15 Fluid Head

Fluid Head incl. Elite Wedge Plate TNG-16 & Elite Pan Bar ELPB-1

SKU: CMG-EL15-FLHEAD

### Specifications

<b>Model Number</b>	Elite 15	<b>Pan &amp; Tilt Drag</b>	6 steps (1-6)
<b>Maximum Payload</b>	19 kg/41.9 lbs	<b>Pan &amp; Tilt Range</b>	Pan: 360° / Tilt: +90/-75°
<b>Camera Platform Type</b>	Elite Wedge Plate TNG-16	<b>Temperature Range</b>	-40°C to +60°C/-40 to +144°F
<b>Sliding Range</b>	80 mm/3.15 in	<b>Levelling Bubble</b>	Illuminated Touch Levelling Bubble
<b>Camera Plate</b>	1/4" screw, 3/8" screw	<b>Weight</b>	3.66 kg/8.07 lbs
<b>Counterbalance System</b>	6+10 steps (1-6, 1-10)	<b>Bowl Diameter</b>	100 mm

The Elite 15 is the unequalled leader for an elite performing, robust yet cost effective solution for news, documentary, broadcast professionals and digital filmmakers. It supports a maximum payload of 19 kg/41.9 lbs and has a 6+10 (60) step counterbalance wheel adjustment system which enables finer and faster counterbalance settings. The Elite 15 can virtually perfectly balance any payload between 0 and 42 pounds, a world's first.

The Elite 15 tripod systems come with the matching patented Elite 3S-FIX Quick Lock & Release 100 mm 70 kg/154 lbs capacity tripod system, illuminated levelling bubble with sliding plate screw parking positions and the integrated screw key to make your operation run smoothly.



## Camgear Elite 15 **GS CF** **Bowl 100MM**

Tripod System incl. Elite 15 Fluid Head, Carbon Fiber Tripod & Ground Spreader.

SKU: CMG-EL15-GS-CF-TRISYS

### System Configuration

- Elite 15 Fluid Head
- 3S-FIX ENG/CF2 Carbon Fiber Tripod
- Elite Pan Bar ELPB-1
- Ground Spreader GS-2
- camRade tripodBag Traveler



<b>Weight</b>	8.74 kg/19.27 lbs
<b>Height Range</b>	0.55-1.72 m/21.7-67.7 in
<b>Transport Length</b>	0.89 m/35 in
<b>Section</b>	2 Stages

## Camgear Elite 15 **GS AL** **Bowl 100MM**

Tripod System incl. Elite 15 Fluid Head, Aluminum Tripod & Ground Spreader.

SKU: CMG-EL15-GS-AL-TRISYS

### System Configuration

- Elite 15 Fluid Head
- 3S-FIX ENG/AL2 Aluminum Tripod
- Elite Pan Bar ELPB-1
- Ground Spreader GS-2
- camRade tripodBag Traveler



<b>Weight</b>	9.38 kg/20.68 lbs
<b>Height Range</b>	0.55-1.72 m/21.7-67.7 in
<b>Transport Length</b>	0.89 m/35 in
<b>Section</b>	2 Stages

## Camgear Elite 15 **MS CF** **Bowl 100MM**

Tripod System incl. Elite 15 Fluid Head, Carbon Fiber Tripod & Mid Level Spreader.

SKU: CMG-EL15-MS-CF-TRISYS

### System Configuration

- Elite 15 Fluid Head
- 3S-FIX ENG/CF2 Carbon Fiber Tripod
- Elite Pan Bar ELPB-1
- Mid Level Spreader MSP-3
- Rubber Feet RF-2 (x3)
- camRade tripodBag Traveler



<b>Weight</b>	9.2 kg/20.28 lbs
<b>Height Range</b>	0.6-1.65 m/23.6-65 in
<b>Transport Length</b>	0.89 m/35 in
<b>Section</b>	2 Stages

## Camgear Elite 15 **MS AL** **Bowl 100MM**

Tripod System incl. Elite 15 Fluid Head, Aluminum Tripod & Mid Level Spreader.

SKU: CMG-EL15-MS-AL-TRISYS

### System Configuration

- Elite 15 Fluid Head
- 3S-FIX ENG/AL2 Aluminum Tripod
- Elite Pan Bar ELPB-1
- Mid Level Spreader MSP-3
- Rubber Feet RF-2 (x3)
- camRade tripodBag Traveler



<b>Weight</b>	9.84 kg/21.69 lbs
<b>Height Range</b>	0.6-1.65 m/23.6-65 in
<b>Transport Length</b>	0.89 m/35 in
<b>Section</b>	2 Stages

# Camgear Elite 18 **Payload 25kg Bowl 100MM**

## Camgear Elite 18 Fluid Head

Fluid Head incl. Elite Wedge Plate TNG-16 & Elite Telescopic Pan Bar ELPB-2 (set of 2)

SKU: CMG-EL18-FLHEAD

### Specifications

<b>Model Number</b>	Elite 18	<b>Pan &amp; Tilt Drag</b>	8 steps (1-8)
<b>Maximum Payload</b>	25 kg/55.1 lbs	<b>Pan &amp; Tilt Range</b>	Pan: 360° / Tilt: +90/-75°
<b>Camera Platform Type</b>	Elite Wedge Plate TNG-16	<b>Temperature Range</b>	-40°C to +60°C / -40 to +144°F
<b>Sliding Range</b>	110 mm/4.33 in	<b>Levelling Bubble</b>	Illuminated Touch Levelling Bubble
<b>Camera Plate</b>	1/4" screw, 3/8" screw	<b>Weight</b>	4.8 kg/10.58 lbs
<b>Counterbalance System</b>	8+10 steps (1-8, 1-10)	<b>Bowl Diameter</b>	100 mm

The high payload capacity and incredibly wide payload range of 0- 25 kg/55.1 lbs makes the Elite 18 ideal for ENG/EFP field-based 4K/HD productions and small studio configurations as well. Its high reliability and robust design makes it ideal for portable broadcast cameras and camcorders and small field prompters.

The Elite 18 tripod systems come with the matching patented Elite 3S-FIX Quick Lock & Release 100 mm 70 kg/154 lbs (ENG) or 110 kg/ 243 lbs (EFP) capacity tripod. The illuminated levelling bubble, sliding plate screw parking positions and the integrated screw key help to make your operation run smoothly.



## Camgear Elite 18 **GS CF** **Bowl 100MM**

Tripod System incl. Elite 18 Fluid Head, Carbon Fiber Tripod & Ground Spreader.

SKU: CMG-EL18-GS-CF-TRISYS

### System Configuration

Elite 18 Fluid Head  
3S-FIX ENG/CF2 Carbon Fiber Tripod Elite  
Telescopic Pan Bar ELPB-2 (set of 2)  
Ground Spreader GS-2  
camRade tripodBag Traveler



<b>Weight</b>	9.88 kg/21.78 lbs
<b>Height Range</b>	0.57-1.74 m/22.4-68.5 in
<b>Transport Length</b>	0.91 m/35.8 in
<b>Section</b>	2 Stages

## Camgear Elite 18 **GS AL** **Bowl 100MM**

Tripod System incl. Elite 18 Fluid Head, Aluminum Tripod & Ground Spreader.

SKU: CMG-EL18-GS-AL-TRISYS

### System Configuration

Elite 18 Fluid Head  
3S-FIX ENG/AL2 Aluminum Tripod Elite  
Telescopic Pan Bar ELPB-2 (set of 2)  
Ground Spreader GS-2  
camRade tripodBag Traveler



<b>Weight</b>	10.52 kg/23.19 lbs
<b>Height Range</b>	0.57-1.74 m/22.4-68.5 in
<b>Transport Length</b>	0.91 m/35.8 in
<b>Section</b>	2 Stages

## Camgear Elite 18 **MS CF** **Bowl 100MM**

Tripod System incl. Elite 18 Fluid Head, Carbon Fiber Tripod & Mid Level Spreader.

SKU: CMG-EL18-MS-CF-TRISYS

### System Configuration

Elite 18 Fluid Head  
3S-FIX ENG/CF2 Carbon Fiber Tripod Elite  
Telescopic Pan Bar ELPB-2 (set of 2)  
Mid Level Spreader MSP-3  
Rubber Feet RF-2 (x3)  
camRade tripodBag Traveler



<b>Weight</b>	10.34 kg/22.80 lbs
<b>Height Range</b>	0.62-1.67 m/24.4-65.7 in
<b>Transport Length</b>	0.91 m/35.8 in
<b>Section</b>	2 Stages

## Camgear Elite 18 **MS AL** **Bowl 100MM**

Tripod System incl. Elite 18 Fluid Head, Aluminum Tripod & Mid Level Spreader.

SKU: CMG-EL18-MS-AL-TRISYS

### System Configuration

Elite 18 Fluid Head  
3S-FIX ENG/AL2 Aluminum Tripod Elite  
Telescopic Pan Bar ELPB-2 (set of 2)  
Mid Level Spreader MSP-3  
Rubber Feet RF-2 (x3)  
camRade tripodBag Traveler



<b>Weight</b>	10.98 kg/24.2 lbs
<b>Height Range</b>	0.62-1.67 m/24.4-65.7 in
<b>Transport Length</b>	0.91 m/35.8 in
<b>Section</b>	2 Stages

### Camgear Elite 18 EFP **GS CF** Bowl 100MM

Tripod System incl. Elite 18 Fluid Head, Carbon Fiber Tripod & Ground Spreader.

SKU: CMG-EL18-EFP-GS-CF-TRISYS



#### System Configuration

- Elite 18 Fluid Head
- 3S-FIX EFP100/CF2 Carbon Fiber Tripod
- Elite Telescopic Pan Bar ELPB-2 (set of 2)
- Ground Spreader GS-2
- camRade tripodBag heavyDuty



<b>Weight</b>	13.04 kg/28.75 lbs
<b>Height Range</b>	0.73-1.78 m/28.7-70 in
<b>Transport Length</b>	0.97 m/38.2 in
<b>Section</b>	2 Stages

### Camgear Elite 18 EFP **MS CF** Bowl 100MM

Tripod System incl. Elite 18 Fluid Head, Carbon Fiber Tripod & Mid Level Spreader.

SKU: CMG-EL18-EFP-MS-CF-TRISYS



#### System Configuration

- Elite 18 Fluid Head
- 3S-FIX EFP100/CF2 Carbon Fiber Tripod
- Elite Telescopic Pan Bar ELPB-2 (set of 2)
- Mid Level Spreader MSP-3
- Rubber Feet RF-2 (x3)
- camRade tripodBag heavyDuty



<b>Weight</b>	13.5 kg/29.76 lbs
<b>Height Range</b>	0.76-1.74 m/30-68.5 in
<b>Transport Length</b>	0.97 m/38.2 in
<b>Section</b>	2 Stages

Effortless support during any shoot, at any location.



# Camgear Elite 20 **Payload 29KG Bowl 100MM**

## Camgear Elite 20 Fluid Head

Fluid Head incl. Elite Wedge Plate TNG-16 & Elite Telescopic Pan Bar ELPB-2 (set of 2)

SKU: CMG-EL20-FLHEAD

### Specifications

Model Number	Elite 20
Maximum Payload	29 kg/63.9 lbs
Camera Platform Type	Elite Wedge Plate TNG-16
Sliding Range	110 mm/4.33 in
Camera Plate	1/4" screw, 3/8" screw
Counterbalance System	10+10 steps (1-10, 1-10)
Pan & Tilt Drag	8 steps (1-8)
Pan & Tilt Range	Pan: 360° / Tilt: +90°/-75°
Temperature Range	-40°C to +60°C/-40 to +144°F
Levelling Bubble	Illuminated Touch Levelling Bubble
Weight	5.24 kg/11.55 lbs
Bowl Diameter	100 mm

The Elite 20 is the strongest solution in the 100 mm Elite-Series range and it supports a payload of up to 29 kg/63.9 lbs. With the 10+10 (100) step counterbalance adjustment range it can virtually perfectly balance anything from a GoPro to a small ENG studio configuration with full 21" Teleprompter. The wide operating temperature range and several other practical features makes it ideal for EFP and field-based 4K/HD and digital film productions as well. It supports broadcast and film cameras in various heavy configurations.

The Elite 20 tripod systems come with the matching patented Elite 3S-FIX Quick Lock & Release 100 mm 110 kg/243 lbs capacity EFP-HD tripod, illuminated levelling bubble with sliding plate screw parking positions and the integrated screw key to make your operation run smoothly.



## Camgear Elite 20 EFP **GS CF Bowl 100MM**

Tripod System incl. Elite 20 Fluid Head, Carbon Fiber Tripod & Ground Spreader.

SKU: CMG-EL20-EFP-GS-CF-TRISYS



### System Configuration

Elite 20 Fluid Head  
3S-FIX EFP100/CF2 Carbon Fiber Tripod  
Elite Telescopic Pan Bar ELPB-2 (set of 2)  
Ground Spreader GS-2  
camRade tripodBag heavyDuty



Weight	13.48 kg/29.72 lbs
Height Range	0.73-1.78 m/28.7-70 in
Transport Length	0.97 m/38.2 in
Section	2 Stages

## Camgear Elite 20 EFP **MS CF Bowl 100MM**

Tripod System incl. Elite 20 Fluid Head, Carbon Fiber Tripod & Mid Level Spreader.

SKU: CMG-EL20-EFP-MS-CF-TRISYS



### System Configuration

Elite 20 Fluid Head  
3S-FIX EFP100/CF2 Carbon Fiber Tripod  
Elite Telescopic Pan Bar ELPB-2 (set of 2)  
Mid Level Spreader MSP-3  
Rubber Feet RF-2 (x3)  
camRade tripodBag heavyDuty



Weight	13.94 kg/30.73 lbs
Height Range	0.76-1.74 m/30-68.5 in
Transport Length	0.97 m/38.2 in
Section	2 Stages

# Camgear Elite 25 Payload 45KG Bowl 150MM

## Camgear Elite 25 Fluid Head

Fluid Head incl. Elite Wedge Plate TNG-35 & Elite Telescopic Pan Bar ELPB-2 (set of 2)

SKU: CMG-EL25-FLHEAD

### Specifications

Model Number	Elite 25
Maximum Payload	45 kg/100 lbs
Camera Platform Type	Elite Wedge Plate TNG-35
Sliding Range	120 mm/4.72 in
Camera Plate	1/4" screw, 3/8" screw
Counterbalance System	12+10 steps (1-12, 1-10)
Pan & Tilt Drag	10 steps (1-10)
Pan & Tilt Range	Pan: 360° / Tilt: +90/-75°
Temperature Range	-40°C to +60°C/-40 to +144°F
Levelling Bubble	Illuminated Touch Levelling Bubble
Weight	9.58 kg/21.12 lbs
Bowl Diameter	150 mm

The Elite 25 is the only 150 mm head on the market in this capacity range using an ultra functional spindle drive sliding camera mounting plate, for finer camera plate adjustment. It offers a 12+10 (120) step counterbalance adjustment system, ensuring a virtual perfect balance for any and all payloads. Combined with its assembly (build) lock mechanism and many other practical features, it is the truly perfect solution for EFP and 4K/HD production, studio applications with full large teleprompter and confidence monitors and compact studio lenses, 3D-rigs and outside broadcast applications.

The Elite 25 tripod systems come with the matching patented Elite 3S-FIX Quick Lock & Release 150 mm 110 kg/243 lbs capacity EFP-HD tripod, illuminated levelling bubble with sliding plate screw parking positions and the integrated screw key to make your operation run smoothly.

## Camgear Elite 25 EFP GS CF Bowl 150MM

Tripod System incl. Elite 20 Fluid Head, Carbon Fiber Tripod & Ground Spreader.

SKU: CMG-EL25-EFP-GS-CF-TRISYS



### System Configuration

Elite 25 Fluid Head  
3S-FIX EFP150/CF2 Carbon Fiber Tripod  
Elite Telescopic Pan Bar ELPB-2 (set of 2)  
Ground Spreader GS-2  
camRade tripodBag heavyDuty



Weight	17.82 kg/39.29 lbs
Height Range	0.75-1.83 m/29.5-72 in
Transport Length	0.99 m/39 in
Section	2 Stages

## Camgear Elite 25 EFP MS CF Bowl 150MM

Tripod System incl. Elite 20 Fluid Head, Carbon Fiber Tripod & Mid Level Spreader.

SKU: CMG-EL25-EFP-MS-CF-TRISYS



### System Configuration

Elite 25 Fluid Head  
3S-FIX EFP150/CF2 Carbon Fiber Tripod  
Elite Telescopic Pan Bar ELPB-2 (set of 2)  
Mid Level Spreader MSP-3  
Rubber Feet RF-2 (x3)  
camRade tripodBag heavyDuty



Weight	18.28 kg/40.3 lbs
Height Range	0.79-1.76 m/31.1-69.3 in
Transport Length	0.99 m/39 in
Section	2 Stages





“ My old tripod really needed to be replaced and after a long search I stopped at Camgear with the new Elite-Series. The magnets in the legs, the weight and the robustness are all great extras. The tripod can be set-up literally in seconds, with 3 clicks using the new 3S-FIX mechanism. When you combine it with a Mid Level spreader, it’s also really suitable to use on uneven surfaces.”

*Rene Lunshof*  
Freelance Cameraman,  
the Netherlands

# Camgear 3S-FIX Tripods

## Camgear 3S-FIX T75/AL2 GS Aluminum Tripod

2-Stage 75 mm bowl Aluminium Tripod with Ground Spreader.  
 SKU: CMG-3SF-T75-AL2-TRIPOD

- ◆ 2-Stage aluminum tripod with 75 mm bowl.
- ◆ Lightweight & robust and supports up to 50 kg/110 lbs.
- ◆ Double extension tripods are ideal for a wide variety of applications.
- ◆ Supplied with Ground Spreader GS-2.
- ◆ Can be combined with Mid-Level Spreader MSP-3, with Rubber Feet RF-2.
- ◆ Equipped with 3S-FIX Quick Lock & Release mechanism.



<b>Payload</b>	50 kg/110 lbs
<b>Bowl Diameter</b>	75 mm
<b>Material</b>	Aluminum
<b>Weight</b>	4.98 kg/10.98 lbs

<b>Height Range</b>	0.35-1.51 m/13.8-59.4 in
<b>Transport Length</b>	0.72 m/28.3 in
<b>Section</b>	2 Stages

## Camgear 3S-FIX T75/CF2 GS Carbon Fiber Tripod

2-Stage 75 mm bowl Carbon Fiber Tripod with Ground Spreader.  
 SKU: CMG-3SF-T75-CF2-TRIPOD

- ◆ 2-Stage carbon fiber tripod with 75 mm bowl.
- ◆ Lightweight & robust and supports up to 50 kg/110 lbs.
- ◆ Double extension tripods are ideal for a wide variety of applications.
- ◆ Supplied with Ground Spreader GS-2.
- ◆ Can be combined with Mid Level Spreader MSP-3, with Rubber Feet RF-2.
- ◆ Equipped with 3S-FIX Quick Lock & Release mechanism.



<b>Payload</b>	50 kg/110 lbs
<b>Bowl Diameter</b>	75 mm
<b>Material</b>	Carbon Fiber
<b>Weight</b>	4.25 kg/9.37 lbs

<b>Height Range</b>	0.35-1.51 m/13.8-59.4 in
<b>Transport Length</b>	0.72 m/28.3 in
<b>Section</b>	2 Stages

# Camgear 3S-FIX Tripods

## Camgear 3S-FIX T100/AL2 GS Aluminum Tripod

2-Stage 100 mm bowl Aluminium Tripod with Ground Spreader.  
 SKU: CMG-3SF-T100-AL2-TRIPOD

- ◆ 2-Stage aluminum tripod with 100 mm bowl.
- ◆ Lightweight & robust and supports up to 50 kg/110 lbs.
- ◆ Double extension tripods are ideal for a wide variety of applications.
- ◆ Supplied with Ground Spreader GS-2.
- ◆ Can be combined with Mid Level Spreader MSP-3, with Rubber Feet RF-2.
- ◆ Equipped with 3S-FIX Quick Lock & Release mechanism.



<b>Payload</b>	50 kg/110 lbs
<b>Bowl Diameter</b>	100 mm
<b>Material</b>	Aluminum
<b>Weight</b>	5.04 kg/11.11 lbs

<b>Height Range</b>	0.35-1.51 m/13.8-59.4 in
<b>Transport Length</b>	0.72 m/28.3 in
<b>Section</b>	2 Stages

## Camgear 3S-FIX T100/CF2 GS Carbon Fiber Tripod

2-Stage 100 mm bowl Carbon Fiber Tripod with Ground Spreader.  
 SKU: CMG-3SF-T100-CF2-TRIPOD

- ◆ 2-Stage carbon fiber tripod with 100 mm bowl.
- ◆ Lightweight & robust and supports up to 50 kg/110 lbs.
- ◆ Double extension tripods are ideal for a wide variety of applications.
- ◆ Supplied with Ground Spreader GS-2.
- ◆ Can be combined with Mid Level Spreader MSP-3, with Rubber Feet RF-2.
- ◆ Equipped with 3S-FIX Quick Lock & Release mechanism.



<b>Payload</b>	50 kg/110 lbs
<b>Bowl Diameter</b>	100 mm
<b>Material</b>	Carbon Fiber
<b>Weight</b>	4.32 kg/9.52 lbs

<b>Height Range</b>	0.35-1.51 m/13.8-59.4 in
<b>Transport Length</b>	0.72 m/28.3 in
<b>Section</b>	2 Stages



# Camgear 3S-FIX Tripods

## Camgear 3S-FIX ENG/AL2 GS Aluminum Tripod

2-Stage 100 mm bowl Aluminium ENG Tripod with Ground Spreader.  
 SKU: CMG-3SF-ENG-AL2-TRIPOD

- ◆ 2-Stage aluminum tripod with 100 mm bowl.
- ◆ Sturdy and robust design, supports up to 70 kg/154 lbs and is suitable for ENG application.
- ◆ Double extension tripods are ideal for a wide variety of applications.
- ◆ Supplied with Ground Spreader GS-2.
- ◆ Can be combined with Mid Level Spreader MSP-3, with Rubber Feet RF-2.
- ◆ Equipped with 3S-FIX Quick Lock & Release mechanism.



<b>Payload</b>	70 kg/154 lbs
<b>Bowl Diameter</b>	100 mm
<b>Material</b>	Aluminum
<b>Weight</b>	5.36 kg/11.81 lbs

<b>Height Range</b>	0.39-1.55 m/15.4-61 in
<b>Transport Length</b>	0.74 m/29.1 in
<b>Section</b>	2 Stages

## Camgear 3S-FIX ENG/CF2 GS Carbon Fiber Tripod

2-Stage 100 mm bowl Carbon Fiber ENG Tripod with Ground Spreader.  
 SKU: CMG-3SF-ENG-CF2-TRIPOD

- ◆ 2-Stage carbon fiber tripod with 100 mm bowl.
- ◆ Sturdy and robust design, supports up to 70 kg/154 lbs and is suitable for ENG application.
- ◆ Double extension tripods are ideal for a wide variety of applications.
- ◆ Supplied with Ground Spreader GS-2.
- ◆ Can be combined with Mid Level Spreader MSP-3, with Rubber Feet RF-2.
- ◆ Equipped with 3S-FIX Quick Lock & Release mechanism.



<b>Payload</b>	70 kg/154 lbs
<b>Bowl Diameter</b>	100 mm
<b>Material</b>	Carbon Fiber
<b>Weight</b>	4.72 kg/10.41 lbs

<b>Height Range</b>	0.39-1.55 m/15.4-61 in
<b>Transport Length</b>	0.74 m/29.1 in
<b>Section</b>	2 Stages

# Camgear 3S-FIX Tripods

## Camgear 3S-FIX EFP100/CF2 GS Carbon Fiber Tripod

2-Stage 100 mm bowl Carbon Fiber heavy-duty EFP Tripod with Ground Spreader.

SKU: CMG-3SF-EFP100-CF2-TRIPOD

- ◆ 2-Stage heavy-duty carbon fiber tripod with 100 mm bowl.
- ◆ Very sturdy construction and high torsion rigidity which ensure a rock solid base for a majority of cameras.
- ◆ Supports up to 110 kg/243 lbs and is an ideal solution for EFP, 4K/HD production and studio application.
- ◆ Supplied with Ground Spreader GS-2.
- ◆ Can be combined with Mid Level Spreader MSP-3, with Rubber Feet RF-2.
- ◆ Equipped with 3S-FIX Quick Lock & Release mechanism.



<b>Payload</b>	110 kg/243 lbs
<b>Bowl Diameter</b>	100 mm
<b>Material</b>	Carbon Fiber
<b>Weight</b>	7.22 kg/15.92 lbs

<b>Height Range</b>	0.54-1.59 m/21.3-62.6 in
<b>Transport Length</b>	0.78 m/30.7 in
<b>Section</b>	2 Stages

## Camgear 3S-FIX EFP150/CF2 GS Carbon Fiber Tripod

2-Stage 150 mm bowl Carbon Fiber heavy-duty EFP Tripod with Ground Spreader.

SKU: CMG-3SF-EFP150-CF2-TRIPOD

- ◆ 2-Stage heavy-duty carbon fiber tripod with 150 mm bowl.
- ◆ Very sturdy construction and high torsion rigidity which ensure a rock solid base for a majority of cameras.
- ◆ Supports up to 110 kg/243 lbs and is an ideal solution for EFP, 4K/HD production and studio application.
- ◆ Supplied with Ground Spreader GS-2.
- ◆ Can be combined with Mid Level Spreader MSP-3, with Rubber Feet RF-2.
- ◆ Equipped with 3S-FIX Quick Lock & Release mechanism.



<b>Payload</b>	110 kg/243 lbs
<b>Bowl Diameter</b>	150 mm
<b>Material</b>	Carbon Fiber
<b>Weight</b>	7.52 kg/16.58 lbs

<b>Height Range</b>	0.54-1.59 m/21.3-62.6 in
<b>Transport Length</b>	0.78 m/30.7 in
<b>Section</b>	2 Stages

# Accessories

## Ground Spreaders

### Ground Spreader GS-2

For all Elite Tripod Systems  
**SKU:** CMG-GROUNDSPDR-2



**Payload**  
 60 kg/132.2 lbs

**Weight**  
 0.82 kg/1.83 lbs

**Build-up radius**  
 35-60 cm/13-22.8 in

### Cine Ground Spreader GS-3

For Elite 18, 20 & 25 Tripod Systems  
**SKU:** CMG-GROUNDSPDR-3



**Payload**  
 140 kg/308 lbs

**Weight**  
 1.9 kg/4.2 lbs

**Build-up radius**  
 39-58 cm/15.4-22.8 in

### Heavy-Duty Ground Spreader GS-4

For Elite 18, 20 & 25 Tripod Systems  
**SKU:** CMG-GROUNDSPDR-4



**Payload**  
 140 kg/308 lbs

**Weight**  
 1.78 kg/3.9 lbs

**Build-up radius**  
 35-58 cm/13.8-22.8 in

## Dollies

### Dolly S

For Elite 8, 10, 12 & 15 Tripod Systems  
**SKU:** CMG-DOLLY-S



**Payload**  
 35 kg/77.2 lbs

**Weight**  
 3.32 kg/7.3 lbs

**Dimensions**  
 H: 19 cm/H: 7.5 in

**Build-up radius**  
 51 cm/20 in

### Dolly L

For all Elite Tripod Systems  
**SKU:** CMG-DOLLY-L



**Payload**  
 100 kg/220 lbs

**Weight**  
 4.94 kg/10.9 lbs

**Dimensions**  
 H: 19 cm/H: 7.5 in

**Build-up radius**  
 51 cm/20 in

### Dolly XL

For Elite 25 Tripod Systems  
**SKU:** CMG-DOLLY-XL



**Payload**  
 150 kg/330.7 lbs

**Weight**  
 14 kg/30.86 lbs

**Dimensions**  
 H: 19 cm/H: 7.5 in

**Build-up radius**  
 51 cm/20 in

## Mid Level Spreaders & Rubber Feet

### Mid Level Spreader MSP-3

For all Elite Tripod Systems  
**SKU:** CMG-MIDSPREADER-3



**Weight**  
 0.84 kg/1.85 lbs

### Rubber Feet RF-1 (set of 3)

For all Elite Tripod Systems  
**SKU:** CMG-RUBBERFEET-1



**Weight**  
 0.30 kg/0.66 lbs

### Rubber Feet RF-2 (set of 3)

For all Elite Tripod Systems  
**SKU:** CMG-RUBBERFEET-2



**Weight**  
 0.44 kg/0.97 lbs

## Pan Bars

### Elite Pan Bar ELPB-1

For Elite 8, Elite 10, Elite 12 & Elite 15 Fluid Heads/Tripod Systems  
**SKU:** CMG-ELPB-1



**Weight**  
 0.36 kg/0.79 lbs

**Dimensions**  
 42.5 cm/1.67 in

### Elite Telescopic Pan Bar ELPB-2 (set of 2)

For Elite 18, Elite 20 & Elite 25 Fluid Heads/Tripod Systems  
**SKU:** CMG-ELTELEPB-2



**Weight**  
 1 kg/2.2 lbs

**Dimensions**  
 35-58 cm/13.7-22.8 in

### Elite Telescopic Pan Bar ELPB-4 (set of 2)

For Elite 8, Elite 10, Elite 12 & Elite 15 Fluid Heads/Tripod Systems  
**SKU:** CMG-ELTELEPB-4



**Weight**  
 0.97 kg/2.14 lbs

**Dimensions**  
 35-58 cm/13.8-22.8 in

## Wedge Plates

### Elite Wedge Plate TNG-16

For Elite 10, Elite 12, Elite 15, Elite 18 & Elite 20 Fluid Heads / Tripod Systems

SKU: CMG-ELPLATE-TNG16



**Weight**  
80 g/0.18 lbs

**Dimensions**  
15 x 6.5 cm/5.9 x 2.6 in

### Elite Wedge Plate TNG-35

For Elite 25 Fluid Heads / Tripod Systems

SKU: CMG-ELPLATE-TNG35



**Weight**  
190 g/0.42 lbs

**Dimensions**  
12 x 8 cm/4.7 x 3.1 in

### Elite Wedge Plate TNG-DV

For Elite 8 Fluid Heads / Tripod Systems

SKU: CMG-ELPLATE-TNGDV



**Weight**  
46 g/0.10 lbs

**Dimensions**  
6.2 x 4.5 cm/2.4 x 1.8 in

## Adapter plates

### Tripod Adapter TA-2

V-mount tripod plate with quick-release mechanism

SKU: CMG-TRIPODADAPT-2



**Weight**  
840 g/1.85 lbs

**Dimensions**  
285 x 30 x 80 mm/11 x 1.2 x 3.1 in

- ◆ The Tripod Adapter plate TA-2 allows professional broadcast cameras to be attached to any VCT-14 style tripod (wedge plate).
- ◆ Universal V-mount quick-release system allowing rapid transition from shoulder mounted and tripod shooting.
- ◆ It features a red safety lever and a black lock lever to minimize the chance of accidental dismounting of the camera.
- ◆ Compatible with all V-mount plates with quick-release system.
- ◆ Suited for all professional broadcast cameras with a V-mount mechanism.
- ◆ Multiple mounting locations to provide perfect balance.

## Bowl Clamps

### Bowl Clamp BC-1

Low Profile for all Elite Heads

SKU: CMG-BOWLCLAMP-1



**Weight**  
130 g/0.28 lbs

### Bowl Clamp BC-2

For all Elite Heads

SKU: CMG-BOWLCLAMP-2



**Weight**  
130 g/0.28 lbs

### Bowl Clamp BC-3

For Elite 25 Head

SKU: CMG-BOWLCLAMP-3



**Weight**  
200 g/0.44 lbs

## Bags & Cases

### Travelling Case Tripod 100/150

For Elite 18, Elite 20 & Elite 25

SKU: CMG-TRAVELCASE-100-150



**Diameter**  
30 cm/11.8 in

**Length**  
105 cm/41.3 in

**Weight**  
6.7 kg/14.77 lbs

### camRade tripodBag Traveler

Supplied with the Elite 8, Elite 10, Elite 12, Elite 15 & Elite 18 Tripod Systems

SKU: CAM-TRIPB-TRAVELER



- ◆ Stylish and tough tripodBag made of water-resistant 1000 denier Cordura® exteriors, YKK® zippers and a rich deep blue soft padded interior for mid-range tripod systems.
- ◆ Easy transportation is ensured by rugged wheels, a fully adjustable padded shoulder strap and a cushion to protect and secure the fluid head.
- ◆ Supplied with 2 removable bumpers and several zippered pockets to customize the interior of the bag.

**Outside dimensions (including wheels)**  
104 x 25 x 23 cm/40.9 x 9.8 x 9.1 in

**Weight**  
4.85 kg/10.69 lbs

**Inside dimension (without bumpers)**  
98 x 21 x 21 cm/38.6 x 8.3 x 8.3 in

**CAMRADE**  
www.camrade.com

### camRade tripodBag heavyDuty

Supplied with the Elite 18 EFP, Elite 20 EFP & Elite 25 EFP Tripod Systems

SKU: CAM-TRIPB-HD



- ◆ Stylish and tough tripodBag made of water-resistant 1000 denier Cordura® exteriors, YKK® zippers and a rich deep blue soft padded interior for heavy-duty tripod systems.
- ◆ Easy transportation is ensured by rugged wheels, a fully adjustable padded shoulder strap and a cushion to protect and secure the fluid head.
- ◆ Supplied with 2 removable bumpers and several zippered pockets to customize the interior of the bag.

**Outside dimensions (including wheels)**  
116 x 30 x 27 cm/45.7 x 11.8 x 10.6 in

**Weight**  
6.80 kg/14.99 lbs

**Inside dimensions (without bumpers)**  
108 x 25 x 25 cm/42.5 x 9.8 x 9.8 in

**CAMRADE**  
www.camrade.com

YOUR LOCAL RESELLER:



[www.camgear-pro.com](http://www.camgear-pro.com)

This catalog has been compiled with the greatest possible care. However, mistakes or changes in models, designs, specifications, visuals or any other information are under reserve. No rights can be derived in any way from the content of this catalog. Technical additions or errors do not constitute grounds for compensation claims.